



## Bobbles & Lace Little Summer Dress by Melissa Leapman



MEDIUM



INTERMEDIATE

Sizes: 2 (4, 6)

### Finished Measurements

Chest: 22 (24, 26)"

Length: 19 (20, 21)"

### Materials:

Coats and Clark/TLC COTTON PLUS,  
(3.5oz/99g, 178yds/163m, 51% Cotton,  
49% Acrylic):

4 (4, 5) skeins #3706 Light Rose

Sizes 6 (4mm) & 8 (5mm) needles or size  
needed to obtain correct gauge

4 - 1/2" buttons

Stitch holders

### Gauge:

With larger needles in Lace Pat, 16 sts &  
16 rows = 4"/10 cm.

With larger needles in Stockinette St, 20 sts  
& 28 rows = 4"/10 cm.

To save time, take time to check gauge.

### Stitch Patterns:

Bobble Pat (mult 5 + 1 sts)

K5, \*Bobble, k4. Rep from \* across, ending  
row with Bobble, k5.

Note: Bobble = K into (front, back, front) of  
next st, turn; P1, (P1, yarn over, P1) all into  
next st, P1, turn; K5, turn; P2tog, P1, P2tog,  
turn; slip 2 sts at once knitwise, K1, p2sso.

### Garter St Pat

Pat Row: Knit across.

Rep Pat Row for pat.

Border Pat (mult 12 + 1 sts): See Chart.

### Stockinette St Pat

Row 1 (RS): Knit across.

Row 2: Purl across.

Rep Rows 1 & 2 for pat.

### Back

With larger needles, CO 71 (71, 76) sts.

Work Bobble Pat.

Beg Garter st, work even until piece meas approx 1" from beg, end after WS row, inc 2 (2, 9) sts evenly across last row – 73 (73, 85) sts. Change to larger needles, beg Border Pat, and work even until chart is completed.

Beg St st Pat, work even until piece meas approx 12 1/2 (13 1/2, 14 1/2)" from beg, end after WS row. Change to smaller needles, beg Garter st Pat, dec 24 (18, 26) sts evenly across first row – 49 (55, 59) sts rem. Cont even in Garter st Pat until piece meas approx 13 1/2 (14 1/2, 15 1/2)" from beg, end after WS row. Change to larger needles, beg St st Pat, inc 6 sts evenly across first row – 55 (61, 65) sts. Cont even in St st Pat until piece meas approx 14 1/2 (15, 15 1/2)" from beg, end after WS row.

Shape Armholes: BO 3 sts at beg of next two rows, BO 2 sts at beg of next two rows, then dec 1 st ea side every row 2 (3, 2) times – 41 (45, 51) sts rem. Cont even in St st Pat until piece meas approx 18 1/2 (19 1/2, 20 1/2)" from beg, end after WS row.

Shape Neck: Next Row (RS): Work across first 9 (11, 14) sts, join second ball of yarn, BO middle 23 sts, work to end of row. Work both sides at once with separate balls of yarn, dec 1 st ea neck edge once – 8 (10, 13) sts rem ea side. Cont even until piece meas approx 19 (20, 21)" from beg, end after WS row.

Next Row (RS): BO 8 (10, 13) sts for right shoulder; place rem 8 (10, 13) sts onto holder for left shoulder.

### Front

Work same as for back until piece meas approx 16 (17, 18)" from beg, end after WS row.

Shape Neck: Next Row (RS): Work across first 15 (17, 20) sts, join second ball of yarn, BO middle 11 sts, work to end row. Work both sides at same time with separate balls of yarn, BO 3 sts ea neck edge once, BO 2 sts ea neck edge once, then dec 1 st ea neck edge every row twice – 8 (10, 13) sts rem ea side. Cont even until piece meas approx 18 (19, 20)" from beg, end after WS row. Place 8 (10, 13) sts onto holder for left shoulder. Cont even on right shoulder until piece meas approx 19 (20, 21)" from beg, end after WS row. BO.

### Sleeves (make 2)

With smaller needles, CO 36 sts. Work Bobble Pat. Beg Garter st, work even until piece meas approx 1" from beg, end after WS row. Change to larger needles, beg St

st Pat, inc 9 sts evenly across first row – 45 sts. Cont in Pat, and inc 1 st ea side every row 1 (3, 1) times, then EOR 1 (0, 3) times – 49 (51, 53) sts. Cont even, if necessary, until piece meas approx 1 1/2 (1 1/2, 2)" from beg, end after WS row.

Shape Cap: BO 3 sts beg of next two rows, dec 1 st ea side EOR 8 (7, 6) times, then every row 5 (7, 9) times – 17 sts rem. BO 2 sts beg of next four rows – 9 sts rem. BO.

### Finishing

Sew right shoulder seam.

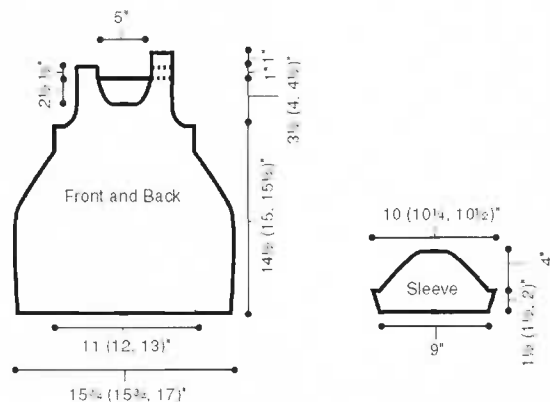
Neckband: With RS facing and smaller needles, pick up and k 65 sts along neckline. Beg Garter st, work even until band meas approx 1" from beg. BO.

Buttonband: With smaller needles, pick up and k 5 sts along side of neckband then knit the 8 (10, 13) sts from back left shoulder holder – 13 (15, 18) sts total. Beg Garter st Pat, work even until band meas approx 1" from beg. BO. Place markers for 4 evenly-spaced buttons along band.

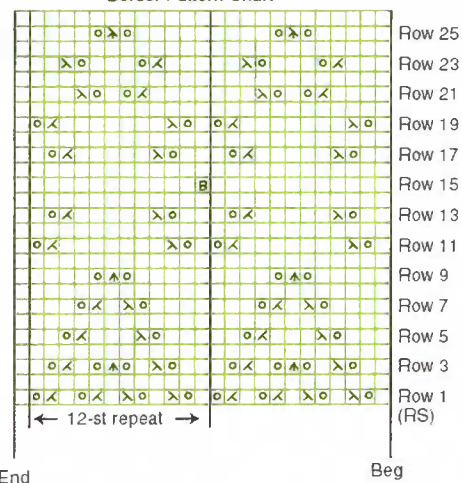
Buttonhole Band: Work same as buttonband until band meas 1/2" from beg. Make four buttonholes opposite button markers by working k2tog, yo. Complete same as for buttonband. Overlap buttonhole band over buttonband and sew armhole ends tog.

Set in sleeves. Sew sleeve and side seams.

Sew on buttons.



Border Pattern Chart



- = K on RS; P on WS    ○ = Yarn over    < = K2tog
- = P on RS; K on WS    ✂ = Slip next st, K2tog, p2ss0
- Ⓑ = Bobble = K into (front, back, front) of next st, turn; P1, (P1, yarn over, P1) all into next st, P1, turn; K5, turn; P2tog, P1, P2tog, turn; slip 2 sts at once knitwise, K1, p2ss0
- ▲ = Slip 2 sts at once knitwise; K1; p2ss0    ✂ = SSK